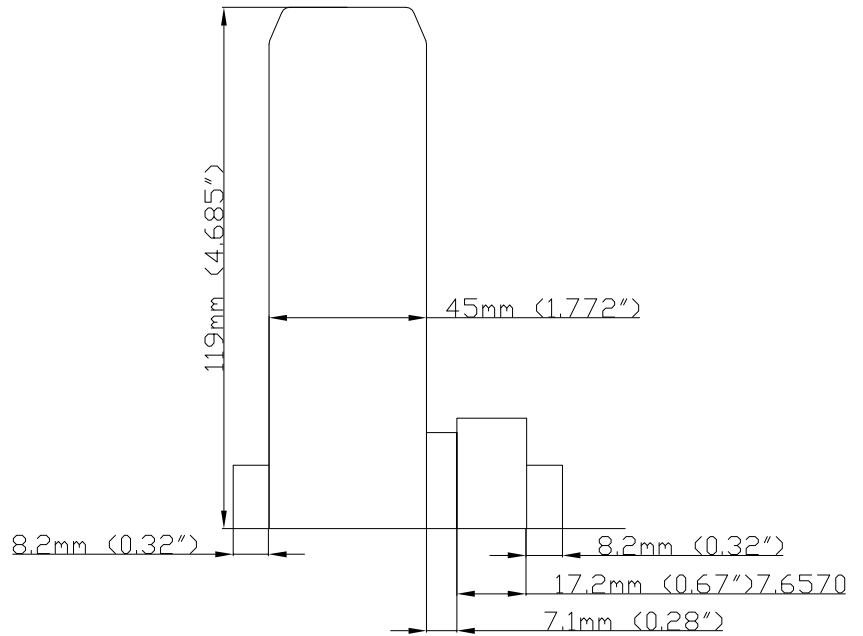
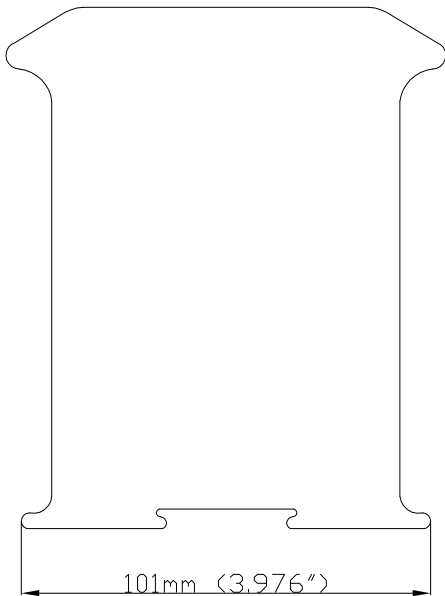
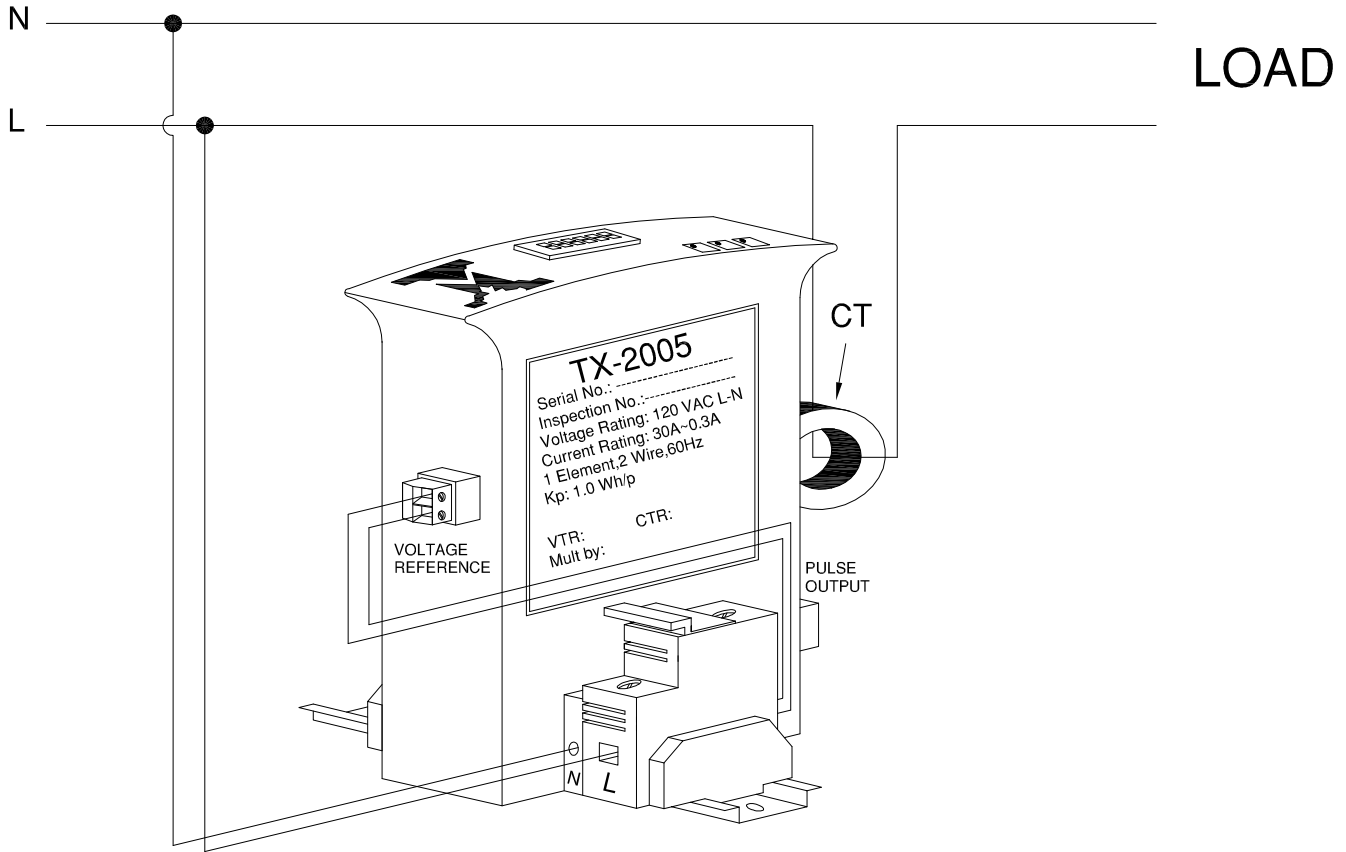


# TX-2005 METER SINGLE PHASE 2WIRE



revision	date	Project Name:	Developer:	Engineer	P.O.#	Contractor:	Date:	Project#:	Drawing#:	Drawn By:	Drawing:
A detail no. no. du detail B location drawing sur dessin no. C drawing no. dessin no.										HOSSEIN PAKBIN	TX-2005