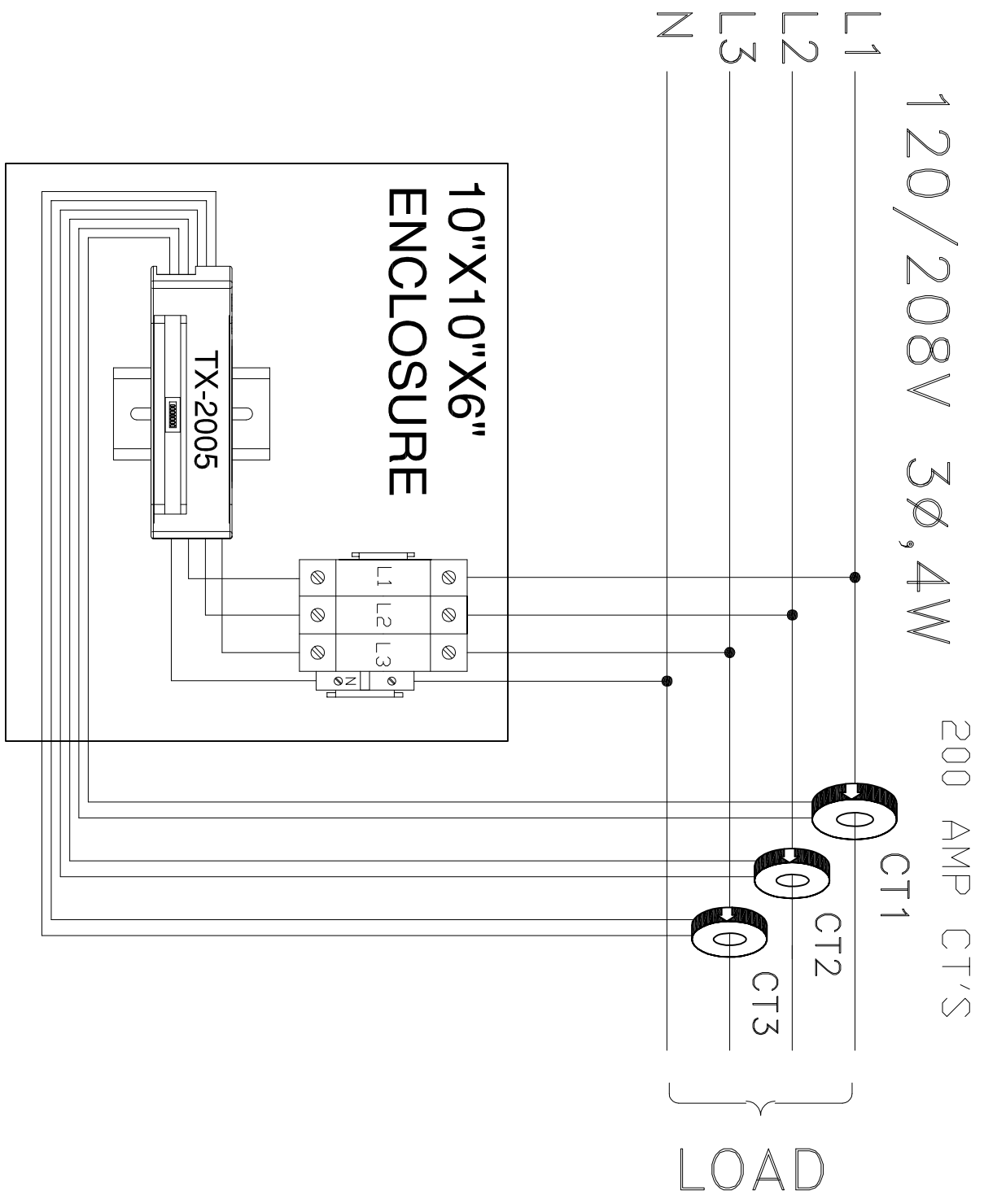


# TX-2005 METERING SYSTEM LAYOUT. (TYPICAL)



**Intellimeter**  
**CANADA INC.**

1125 Squires Beach Road Pickering, Ontario L1W 3T9  
Phone: (905) 839-9199 Fax: (905) 839-9198

revision	date
A	
B	
C	

Project Name:

Engineer:

Manufacturer:

Rev. No./Date:

Contractor:

Drawn By:  
HOSEIN PAKKIN

Date:

P.O.#

Drawing Number:  
TX-1202003

Project Number:

Drawing: